

REDÜKSİYON TE



ASME B 16.9
MSS - SP 75
STD - SCH X.S. - X.X.S.

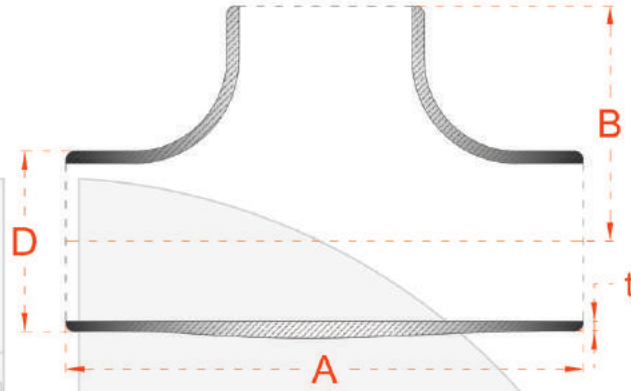


E.M.P.
www.emp.com.tr
www.empflans.com

REDUCING TEE



ASME B 16.9
MSS - SP 75
STD - SCH X.S. - X.X.S.



INCH	DIŞ ÇAP DİAMETER D	DIŞ ÇAP DİAMETER D 2	A	B	STD			SCH X.S.			SCH X.X.S.		
					t	t 2	kg	t	t 2	kg	t	t 2	kg
1/2" X 3/8"	21	17	50	25	2.77	2.31	0.16	3.73	3.20	0.25	x	x	x
1/2" X 1/4"	21	14	50	25	2.77	2.24	0.16	3.73	3.03	0.25	x	x	x
3/4" X 1/2"	27	21	58	29	2.87	2.77	0.25	3.91	3.73	0.34	7.82	7.47	0.40
3/4" X 3/8"	27	17	58	29	2.87	2.31	0.25	3.91	3.20	0.34	x	x	x
1" X 3/4"	33	27	76	38	3.38	2.87	0.35	4.55	3.91	0.40	9.09	7.82	0.57
1" X 1/2"	33	21	76	38	3.38	2.77	0.34	4.55	3.73	0.40	9.09	7.47	0.55
1 1/4" X 1"	42	33	96	48	3.56	3.38	0.60	4.85	4.55	0.60	9.70	9.09	1.09
1 1/4" X 3/4"	42	27	96	48	3.56	2.87	0.60	4.85	3.91	0.59	9.70	7.82	1.02
1 1/4" X 1/2"	42	21	96	48	3.56	2.77	0.60	4.85	3.73	0.58	9.70	7.47	1.00
1 1/2" X 1 1/4"	48	42	114	57	3.68	3.56	0.80	5.08	4.85	0.99	10.16	9.70	1.62
1 1/2" X 1"	48	33	114	57	3.68	3.38	0.73	5.08	4.55	0.96	10.16	9.09	1.55
1 1/2" X 3/4"	48	27	114	57	3.68	2.87	0.73	5.08	3.91	0.94	10.16	7.82	1.50
1 1/2" X 1/2"	48	21	114	57	3.68	2.77	1.35	5.08	3.73	1.50	10.16	7.47	2.54
2" X 1 1/2"	60	48	128	60	3.91	3.68	1.50	5.54	5.08	2.05	11.07	10.16	2.73
2" X 1 1/4"	60	42	128	57	3.91	3.56	1.46	5.54	4.85	2.05	11.07	9.70	2.71
2" X 1"	60	33	128	51	3.91	3.38	1.31	5.54	4.55	2.05	11.07	9.09	2.65
2" X 3/4"	60	27	128	44	3.91	2.87	1.29	5.54	3.91	2.05	11.07	7.82	2.52
2 1/2" X 2"	73	60	152	70	5.16	3.91	2.08	7.01	5.54	3.37	14.02	11.07	4.58
2 1/2" X 1 1/2"	73	48	152	67	5.16	3.68	2.04	7.01	5.08	3.37	14.02	10.16	4.49
2 1/2" X 1 1/4"	73	42	152	64	5.16	3.56	1.99	7.01	4.85	3.37	14.02	9.70	4.46
2 1/2" X 1	73	33	152	57	5.16	3.38	1.96	7.01	4.55	3.37	14.02	9.09	4.27
3" X 2 1/2"	89	73	172	83	5.49	5.16	3.00	7.62	7.01	4.25	15.24	14.02	7.70
3" X 2"	89	60	172	76	5.49	3.91	2.90	7.62	5.54	4.25	15.24	11.07	7.50
3" X 1 1/2"	89	48	172	73	5.49	3.68	2.88	7.62	5.08	4.25	15.24	10.16	7.50
3" X 1 1/4"	89	42	172	70	5.49	3.56	2.88	7.62	4.85	4.25	15.24	9.70	7.40
4" X 3"	114	89	210	98	6.02	5.49	5.18	8.56	7.62	7.50	17.12	15.24	17.00
4" X 2 1/2"	114	73	210	95	6.02	5.16	5.13	8.56	7.01	7.50	17.12	14.02	17.00

Ölçüler mm olarak verilmiştir.
Çelik ve paslanmaz üretilebilir.

Dimensions are in mm.
Steel and stainless steel can be produce

REDÜKSİYON TE



ASME B 16.9
MSS - SP 75
STD - SCH 10 - 20

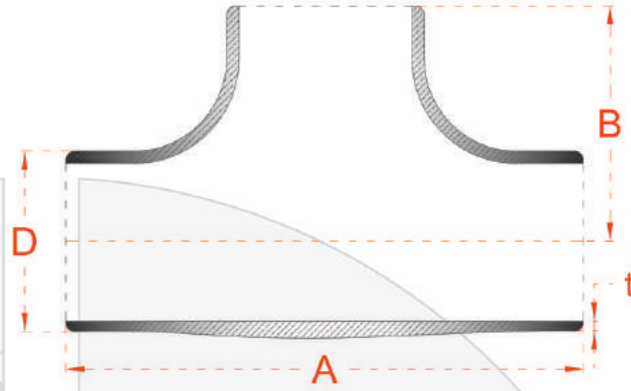


E.M.P.
www.emp.com.tr
www.empflans.com

REDUCING TEE



ASME B 16.9
MSS - SP 75
STD - SCH 10 - 20



INCH	DIŞ ÇAP DİAMETER D	DIŞ ÇAP DİAMETER D 2	A	B	STD			SCH 10			SCH 20		
					t	t 2	kg	t	t 2	kg	t	t 2	kg
1/2" X 3/8"	21	17	50	25	2.77	2.31	0.16	x	x	x	x	x	x
1/2" X 1/4"	21	14	50	25	2.77	2.24	0.16	x	x	x	x	x	x
3/4" X 1/2"	27	21	58	29	2.87	2.77	0.25	x	x	x	x	x	x
3/4" X 3/8"	27	17	58	29	2.87	2.31	0.25	x	x	x	x	x	x
1" X 3/4"	33	27	76	38	3.38	2.87	0.35	x	x	x	x	x	x
1" X 1/2"	33	21	76	38	3.38	2.77	0.34	x	x	x	x	x	x
1 1/4" X 1"	42	33	96	48	3.56	3.38	0.60	x	x	x	x	x	x
1 1/4" X 3/4"	42	27	96	48	3.56	2.87	0.60	x	x	x	x	x	x
1 1/4" X 1/2"	42	21	96	48	3.56	2.77	0.60	x	x	x	x	x	x
1 1/2" X 1 1/4"	48	42	114	57	3.68	3.56	0.80	x	x	x	x	x	x
1 1/2" X 1"	48	33	114	57	3.68	3.38	0.73	x	x	x	x	x	x
1 1/2" X 3/4"	48	27	114	57	3.68	2.87	0.73	x	x	x	x	x	x
1 1/2" X 1/2"	48	21	114	57	3.68	2.77	1.35	x	x	x	x	x	x
2" X 1 1/2"	60	48	128	60	3.91	3.68	1.50	x	x	x	x	x	x
2" X 1 1/4"	60	42	128	57	3.91	3.56	1.46	x	x	x	x	x	x
2" X 1"	60	33	128	51	3.91	3.38	1.31	x	x	x	x	x	x
2" X 3/4"	60	27	128	44	3.91	2.87	1.29	x	x	x	x	x	x
2 1/2" X 2"	73	60	152	70	5.16	3.91	2.08	x	x	x	x	x	x
2 1/2" X 1 1/2"	73	48	152	67	5.16	3.68	2.04	x	x	x	x	x	x
2 1/2" X 1 1/4"	73	42	152	64	5.16	3.56	1.99	x	x	x	x	x	x
2 1/2" X 1	73	33	152	57	5.16	3.38	1.96	x	x	x	x	x	x
3" X 2 1/2"	89	73	172	83	5.49	5.16	3.00	x	x	x	x	x	x
3" X 2"	89	60	172	76	5.49	3.91	2.90	x	x	x	x	x	x
3" X 1 1/2"	89	48	172	73	5.49	3.68	2.88	x	x	x	x	x	x
3" X 1 1/4"	89	42	172	70	5.49	3.56	2.88	x	x	x	x	x	x
4" X 3"	114	89	210	98	6.02	5.49	5.18	x	x	x	x	x	x
4" X 2 1/2"	114	73	210	95	6.02	5.16	5.13	x	x	x	x	x	x

Ölçüler mm olarak verilmiştir.
Çelik ve paslanmaz üretilebilir.

Dimensions are in mm.
Steel and stainless steel can be produce

REDÜKSİYON TE



ASME B 16.9
MSS - SP 75
STD - SCH X.S. - X.X.S.

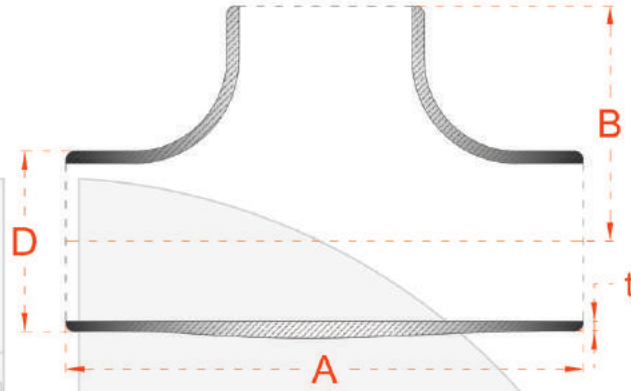


E.M.P.
www.emp.com.tr
www.empflans.com

REDUCING TEE



ASME B 16.9
MSS - SP 75
STD - SCH X.S. - X.X.S.



INCH	DIŞ ÇAP	DIŞ ÇAP	A	B	STD			SCH X.S.			SCH X.X.S.		
	D	D 2			t	t 2	kg	t	t 2	kg	t	t 2	kg
4" X 2"	114	60	210	89	6.02	3.91	4.99	8.56	5.54	7.50	17.12	11.07	17.00
4" X 1 1/2"	114	48	210	86	6.02	3.68	4.95	8.56	5.08	7.50	17.12	10.16	17.00
5" X 4"	141	114	248	117	6.55	6.02	8.22	9.52	8.56	12.10	19.05	17.12	26.20
5" X 3"	141	89	248	111	6.55	5.49	7.99	9.52	7.62	12.10	19.05	15.24	26.20
5" X 2 1/2"	141	73	248	108	6.55	5.16	7.90	9.52	7.01	12.10	19.05	14.02	22.20
5" X 2"	141	60	248	105	6.55	3.91	7.81	9.52	5.54	12.1	19.05	11.07	22.2
6" X 5"	168	141	286	137	7.11	6.55	16.0	10.97	9.52	18.0	21.95	19.05	38.0
6" X 4"	168	114	286	130	7.11	6.02	16.0	10.97	8.56	18.0	21.95	17.12	29.0
6" X 3"	168	89	286	124	7.11	5.49	16.0	10.97	7.62	18.0	21.95	15.24	29.0
6" X 2 1/2"	168	73	286	121	7.11	5.16	16.0	10.97	7.01	18.0	21.95	14.02	29.0
8" X 6"	219	168	356	168	8.18	7.11	28.0	12.7	10.97	34.0	22.23	21.95	51.0
8" X 5"	219	141	356	162	8.18	6.55	28.0	12.7	9.52	34.0	22.23	19.05	51.0
8" X 4"	219	114	356	156	8.18	6.02	28.0	12.7	8.56	34.0	22.23	17.12	51.0
10" X 8"	273	219	432	203	9.27	8.18	41.0	12.7	12.70	58.0	25.40	22.23	99.0
10" X 6"	273	168	432	194	9.27	7.11	41.0	12.7	10.97	52.0	25.40	21.95	91.0
10" X 5"	273	141	432	191	9.27	6.55	41.0	12.7	9.52	52.0	25.40	19.05	80.0
10" X 4"	273	114	432	184	9.27	6.02	41.0	12.7	8.56	52.0	25.4	17.12	80.0
12" X 10"	324	273	508	241	9.52	9.27	63.0	12.7	12.7	85.0	25.4	25.4	150
12" X 8"	324	219	508	229	9.52	8.18	63.0	12.7	12.7	82.0	25.4	22.23	129
12" X 6"	324	168	508	219	9.52	7.11	63.0	12.7	10.97	82.0	25.4	21.95	120
12" X 5"	324	141	508	216	9.52	6.55	63.0	12.7	9.52	82.0	25.4	19.05	120
14" X 12"	356	324	558	270	9.52	9.52	111	12.7	12.7	127	x	x	x
14" X 10"	356	273	558	257	9.52	9.27	107	12.7	12.7	127	x	x	x
14" X 8"	356	219	558	248	9.52	8.18	107	12.7	12.7	122	x	x	x
14" X 6"	356	168	558	238	9.52	7.11	107	12.7	10.97	122	x	x	x

Ölçüler mm olarak verilmiştir.
Çelik ve paslanmaz üretilebilir.

Dimensions are in mm.
Steel and stainless steel can be produce

REDÜKSİYON TE



ASME B 16.9
MSS - SP 75
STD - SCH 10 - 20

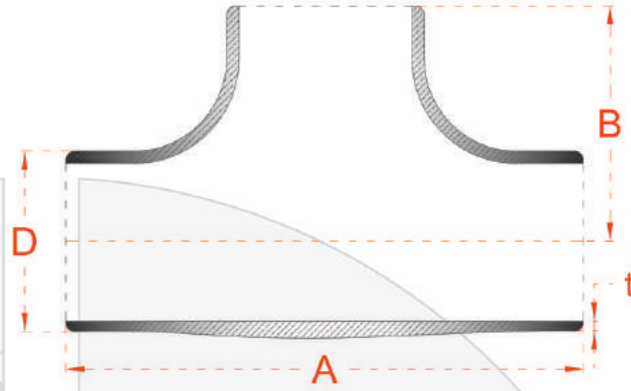


E.M.P.
www.emp.com.tr
www.empflans.com

REDUCING TEE



ASME B 16.9
MSS - SP 75
STD - SCH 10 - 20



INCH	DIŞ ÇAP	DIŞ ÇAP	A	B	STD			SCH 10			SCH 20		
	DİAMETER	DİAMETER			t	t 2	kg	t	t 2	kg	t	t 2	kg
	D	D 2											
4" X 2"	114	60	210	89	6.02	3.91	4.99	x	x	x	x	x	x
4" X 1 1/2"	114	48	210	86	6.02	3.68	4.95	x	x	x	x	x	x
5" X 4"	141	114	248	117	6.55	6.02	8.22	x	x	x	x	x	x
5" X 3"	141	89	248	111	6.55	5.49	7.99	x	x	x	x	x	x
5" X 2 1/2"	141	73	248	108	6.55	5.16	7.90	x	x	x	x	x	x
5" X 2"	141	60	248	105	6.55	3.91	7.81	x	x	x	x	x	x
6" X 5"	168	141	286	137	7.11	6.55	16.0	x	x	x	x	x	x
6" X 4"	168	114	286	130	7.11	6.02	16.0	x	x	x	x	x	x
6" X 3"	168	89	286	124	7.11	5.49	16.0	x	x	x	x	x	x
6" X 2 1/2"	168	73	286	121	7.11	5.16	16.0	x	x	x	x	x	x
8" X 6"	219	168	356	168	8.18	7.11	28.0	x	x	x	x	x	x
8" X 5"	219	141	356	162	8.18	6.55	28.0	x	x	x	x	x	x
8" X 4"	219	114	356	156	8.18	6.02	28.0	x	x	x	x	x	x
10" X 8"	273	219	432	203	9.27	8.18	41.0	x	x	x	6.35	6.35	29.0
10" X 6"	273	168	432	194	9.27	7.11	41.0	x	x	x	x	x	x
10" X 5"	273	141	432	191	9.27	6.55	41.0	x	x	x	x	x	x
10" X 4"	273	114	432	184	9.27	6.02	41.0	x	x	x	x	x	x
12" X 10"	324	273	508	241	9.52	9.27	63.0	x	x	x	6.35	6.35	43.0
12" X 8"	324	219	508	229	9.52	8.18	63.0	x	x	x	6.35	6.35	41.0
12" X 6"	324	168	508	219	9.52	7.11	63.0	x	x	x	x	x	x
12" X 5"	324	141	508	216	9.52	6.55	63.0	x	x	x	x	x	x
14" X 12"	356	324	558	270	9.52	9.52	111	x	x	x	7.92	6.35	95.0
14" X 10"	356	273	558	257	9.52	9.27	107	x	x	x	7.92	6.35	90.0
14" X 8"	356	219	558	248	9.52	8.18	107	x	x	x	7.92	6.35	90.0
14" X 6"	356	168	558	238	9.52	7.11	107	x	x	x	x	x	x

Ölçüler mm olarak verilmiştir.
Çelik ve paslanmaz üretilebilir.

Dimensions are in mm.
Steel and stainless steel can be produce

REDÜKSİYON TE



ASME B 16.9
MSS - SP 75
STD - SCH X.S. - X.X.S.

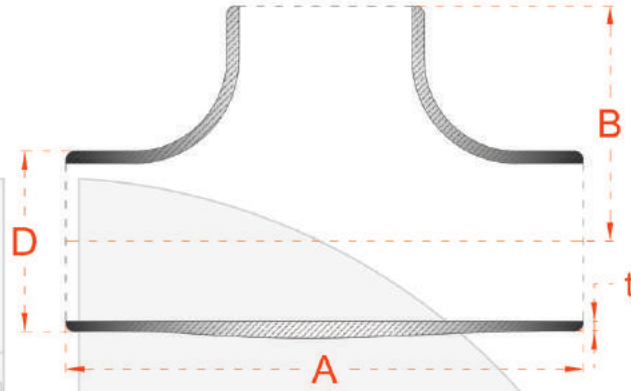


E.M.P.
www.emp.com.tr
www.empflans.com

REDUCING TEE



ASME B 16.9
MSS - SP 75
STD - SCH X.S. - X.X.S.



INCH	DIŞ ÇAP	DIŞ ÇAP	A	B	STD			SCH X.S.			SCH X.X.S.		
	D	D 2			t	t 2	kg	t	t 2	kg	t	t 2	kg
16" X 14"	406	356	610	305	9.52	9.52	119	12.7	12.7	167	x	x	x
16" X 12"	406	324	610	295	9.52	9.52	119	12.7	12.7	167	x	x	x
16" X 10"	406	273	610	283	9.52	9.27	116	12.7	12.7	160	x	x	x
16" X 8"	406	219	610	273	9.52	8.18	116	12.7	12.7	160	x	x	x
16" X 6"	406	168	610	264	9.52	7.11	116	12.7	10.97	160	x	x	x
18" X 16"	457	406	686	330	9.52	9.52	135	12.7	12.7	190	x	x	x
18" X 14"	457	356	686	330	9.52	9.52	135	12.7	12.7	190	x	x	x
18" X 12"	457	324	686	321	9.52	9.52	135	12.7	12.7	164	x	x	x
18" X 10"	457	273	686	308	9.52	9.27	129	12.7	12.7	164	x	x	x
18" X 8"	457	219	686	298	9.52	8.18	129	12.7	12.7	154	x	x	x
20" X 18"	508	457	762	368	9.52	9.52	168	12.7	12.7	218	x	x	x
20" X 16"	508	406	762	356	9.52	9.52	168	12.7	12.7	218	x	x	x
20" X 14"	508	356	762	356	9.52	9.52	163	12.7	12.7	214	x	x	x
20" X 12"	508	324	762	346	9.52	9.52	163	12.7	12.7	214	x	x	x
20" X 10"	508	273	762	333	9.52	9.27	163	12.7	12.7	214	x	x	x
20" X 8"	508	219	762	324	9.52	8.18	163	12.7	12.7	214	x	x	x
24" X 20"	610	508	864	432	9.52	9.52	227	12.7	12.7	350	x	x	x
24" X 18"	610	457	864	419	9.52	9.52	227	12.7	12.7	320	x	x	x
24" X 16"	610	406	864	406	9.52	9.52	222	12.7	12.7	320	x	x	x
24" X 14"	610	356	864	406	9.52	9.52	222	12.7	12.7	300	x	x	x
24" X 12"	610	324	864	397	9.52	9.52	218	12.7	12.7	300	x	x	x
24" X 10"	610	273	864	384	9.52	9.27	204	12.7	12.7	300	x	x	x

Ölçüler mm olarak verilmiştir.
Çelik ve paslanmaz üretilebilir.

Dimensions are in mm.
Steel and stainless steel can be produce

REDÜKSİYON TE



ASME B 16.9
MSS - SP 75
STD - SCH 10 - 20

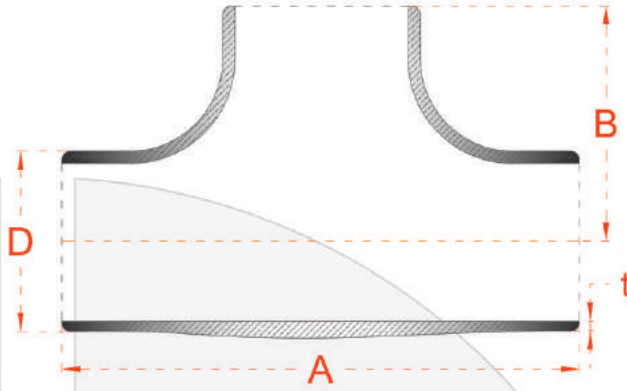


E.M.P.
www.emp.com.tr
www.empflans.com

REDUCING TEE



ASME B 16.9
MSS - SP 75
STD - SCH 10 - 20



INCH	DIŞ ÇAP	DIŞ ÇAP	A	B	STD			SCH 10			SCH 20		
	DİAMETER	DİAMETER			t	t 2	kg	t	t 2	kg	t	t 2	kg
16" X 14"	406	356	610	305	9.52	9.52	119	6.35	6.35	84.0	7.92	7.92	100
16" X 12"	406	324	610	295	9.52	9.52	119	x	x	x	7.92	6.35	100
16" X 10"	406	273	610	283	9.52	9.27	116	x	x	x	7.92	6.35	98.0
16" X 8"	406	219	610	273	9.52	8.18	116	x	x	x	7.92	6.35	98.0
16" X 6"	406	168	610	264	9.52	7.11	116	x	x	x	x	x	x
18" X 16"	457	406	686	330	9.52	9.52	135	6.35	6.35	105	7.92	7.92	127
18" X 14"	457	356	686	330	9.52	9.52	135	6.35	6.35	105	7.92	7.92	127
18" X 12"	457	324	686	321	9.52	9.52	135	x	x	x	7.92	6.35	127
18" X 10"	457	273	686	308	9.52	9.27	129	x	x	x	7.92	6.35	123
18" X 8"	457	219	686	298	9.52	8.18	129	x	x	x	7.92	6.35	123
20" X 18"	508	457	762	368	9.52	9.52	168	6.35	6.35	112	9.52	7.92	168
20" X 16"	508	406	762	356	9.52	9.52	168	6.35	6.35	112	9.52	7.92	168
20" X 14"	508	356	762	356	9.52	9.52	163	6.35	6.35	110	9.52	7.92	164
20" X 12"	508	324	762	346	9.52	9.52	163	x	x	x	9.52	6.35	164
20" X 10"	508	273	762	333	9.52	9.27	163	x	x	x	9.52	6.35	164
20" X 8"	508	219	762	324	9.52	8.18	163	x	x	x	9.52	6.35	164
24" X 20"	610	508	864	432	9.52	9.52	227	6.35	6.35	151	9.52	9.52	227
24" X 18"	610	457	864	419	9.52	9.52	227	6.35	6.35	151	9.52	7.92	227
24" X 16"	610	406	864	406	9.52	9.52	222	6.35	6.35	150	9.52	7.92	222
24" X 14"	610	356	864	406	9.52	9.52	222	6.35	6.35	150	9.52	7.92	222
24" X 12"	610	324	864	397	9.52	9.52	218	x	x	x	9.52	6.35	218
24" X 10"	610	273	864	384	9.52	9.27	204	x	x	x	9.52	6.35	204

Ölçüler mm olarak verilmiştir.
Çelik ve paslanmaz üretilebilir.

Dimensions are in mm.
Steel and stainless steel can be produce

REDÜKSİYON TE



ASME B 16.9
MSS - SP 75
SCH 30 - 40 - 60 - 80

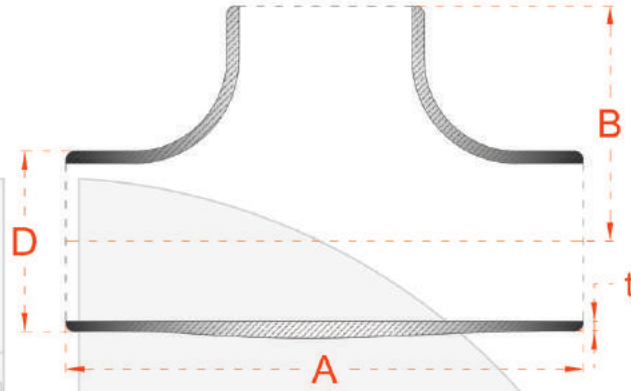


E.M.P.
www.emp.com.tr
www.empflans.com

REDUCING TEE



ASME B 16.9
MSS - SP 75
SCH 30 - 40 - 60 - 80



INCH	DIŞ ÇAP DIAMETER D	DIŞ ÇAP DIAMETER D 2	A	B	SCH 30			SCH 40			SCH 60			SCH 80		
					t	t 2	kg	t	t 2	kg	t	t 2	kg	t	t 2	kg
1/2" X 3/8"	21	17	50	25	2.41	1.85	x	2.77	2.31	0.16	x	x	x	3.73	3.20	0.25
1/2" X 1/4"	21	14	50	25	2.41	1.85	x	2.77	2.24	0.16	x	x	x	3.73	3.03	0.25
3/4" X 1/2"	27	21	58	29	2.41	2.41	x	2.87	2.77	0.25	x	x	x	3.91	3.73	0.34
3/4" X 3/8"	27	17	58	29	2.41	1.85	x	2.87	2.31	0.25	x	x	x	3.91	3.20	0.34
1" X 3/4"	33	27	76	38	2.9	2.41	x	3.38	2.87	0.35	x	x	x	4.55	3.91	0.40
1" X 1/2"	33	21	76	38	2.9	2.41	x	3.38	2.77	0.34	x	x	x	4.55	3.73	0.40
1 1/4" X 1"	42	33	96	48	2.97	2.9	x	3.56	3.38	0.60	x	x	x	4.85	4.55	0.60
1 1/4" X 3/4"	42	27	96	48	2.97	2.41	x	3.56	2.87	0.60	x	x	x	4.85	3.91	0.59
1 1/4" X 1/2"	42	21	96	48	2.97	2.41	x	3.56	2.77	0.60	x	x	x	4.85	3.73	0.58
1 1/2" X 1 1/4"	48	42	114	57	3.18	2.97	x	3.68	3.56	0.80	x	x	x	5.08	4.85	0.99
1 1/2" X 1"	48	33	114	57	3.18	2.9	x	3.68	3.38	0.73	x	x	x	5.08	4.55	0.96
1 1/2" X 3/4"	48	27	114	57	3.18	2.41	x	3.68	2.87	0.73	x	x	x	5.08	3.91	0.94
1 1/2" X 1/2"	48	21	114	57	3.18	2.41	x	3.68	2.77	1.35	x	x	x	5.08	3.73	1.50
2" X 1 1/2"	60	48	128	60	3.18	3.18	x	3.91	3.68	1.50	x	x	x	5.54	5.08	2.05
2" X 1 1/4"	60	42	128	57	3.18	2.97	x	3.91	3.56	1.46	x	x	x	5.54	4.85	2.05
2" X 1"	60	33	128	51	3.18	2.9	x	3.91	3.38	1.31	x	x	x	5.54	4.55	2.05
2" X 3/4"	60	27	128	44	3.18	2.41	x	3.91	2.87	1.29	x	x	x	5.54	3.91	2.05
2 1/2" X 2"	73	60	152	70	4.78	3.18	x	5.16	3.91	2.08	x	x	x	7.01	5.54	3.37
2 1/2" X 1 1/2"	73	48	152	67	4.78	3.18	x	5.16	3.68	2.04	x	x	x	7.01	5.08	3.37
2 1/2" X 1 1/4"	73	42	152	64	4.78	2.97	x	5.16	3.56	1.99	x	x	x	7.01	4.85	3.70
2 1/2" X 1"	73	33	152	57	4.78	2.9	x	5.16	3.38	1.96	x	x	x	7.01	4.55	3.37
3" X 2 1/2"	89	73	172	83	x	x	x	5.49	5.16	3.00	x	x	x	7.62	7.01	4.25
3" X 2"	89	60	172	76	x	x	x	5.49	3.91	2.90	x	x	x	7.62	5.54	4.25
3" X 1 1/2"	89	48	172	73	x	x	x	5.49	3.68	2.88	x	x	x	7.62	5.08	4.25
3" X 1 1/4"	89	42	172	70	x	x	x	5.49	3.56	2.88	x	x	x	7.62	4.85	4.25
4" X 3"	114	89	210	98	x	x	x	6.02	5.49	5.18	x	x	x	8.56	7.62	7.50
4" X 2 1/2"	114	73	210	95	x	x	x	6.02	5.16	5.13	x	x	x	8.56	7.01	7.50

Ölçüler mm olarak verilmiştir.
Çelik ve paslanmaz üretilebilir.

Dimensions are in mm.
Steel and stainless steel can be produce

REDÜKSİYON TE



ASME B 16.9
MSS - SP 75
SCH 30 - 40 - 60 - 80

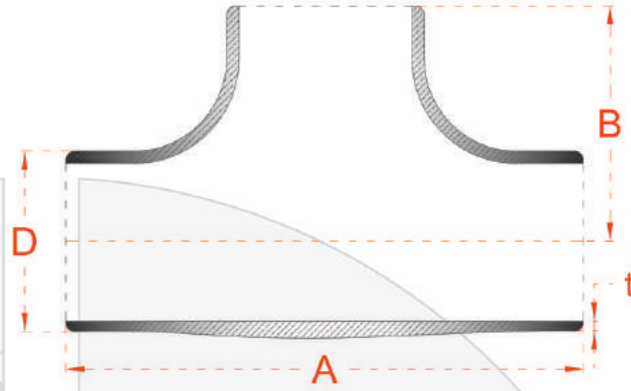


E.M.P.
www.emp.com.tr
www.empflans.com

REDUCING TEE



ASME B 16.9
MSS - SP 75
SCH 30 - 40 - 60 - 80



INCH	DIŞ ÇAP	DIŞ ÇAP	A	B	SCH 30			SCH 40			SCH 60			SCH 80		
	D	D 2			t	t 2	kg	t	t 2	kg	t	t 2	kg	t	t 2	kg
4" X 2"	114	60	210	89	x	x	x	6.02	3.91	4.99	x	x	x	8.56	5.54	7.50
4" X 1 1/2"	114	48	210	86	x	x	x	6.02	3.68	4.95	x	x	x	8.56	5.08	7.50
5" X 4"	141	114	248	117	x	x	x	6.55	6.02	8.22	x	x	x	9.52	8.56	12.10
5" X 3"	141	89	248	111	x	x	x	6.55	5.49	7.99	x	x	x	9.52	7.62	12.10
5" X 2 1/2"	141	73	248	108	x	x	x	6.55	5.16	7.90	x	x	x	9.52	7.01	12.10
5" X 2"	141	60	248	105	x	x	x	6.55	3.91	7.81	x	x	x	9.52	5.54	12.1
6" X 5"	168	141	286	137	x	x	x	7.11	6.55	16.0	x	x	x	10.97	9.52	18.0
6" X 4"	168	114	286	130	x	x	x	7.11	6.02	16.0	x	x	x	10.97	8.56	18.0
6" X 3"	168	89	286	124	x	x	x	7.11	5.49	16.0	x	x	x	10.97	7.62	18.0
6" X 2 1/2"	168	73	286	121	x	x	x	7.11	5.16	16.0	x	x	x	10.97	7.01	18.0
8" X 6"	219	168	356	168	x	x	x	8.18	7.11	28.0	x	x	x	12.7	10.97	34.0
8" X 5"	219	141	356	162	x	x	x	8.18	6.55	28.0	x	x	x	12.7	9.52	34.0
8" X 4"	219	114	356	156	x	x	x	8.18	6.02	28.0	x	x	x	12.7	8.56	34.0
10" X 8"	273	219	432	203	6.35	6.35	29.0	9.27	8.18	41.0	12.7	10.31	53.0	15.09	12.7	71.0
10" X 6"	273	168	432	194	x	x	x	9.27	7.11	41.0	x	x	x	15.09	10.97	54.0
10" X 5"	273	141	432	191	x	x	x	9.27	6.55	41.0	x	x	x	15.09	9.52	53.0
10" X 4"	273	114	432	184	x	x	x	9.27	6.02	41.0	x	x	x	15.09	8.56	53.0
12" X 10"	324	273	508	241	8.38	7.80	62.0	10.31	9.27	67.0	14.27	12.7	103	17.48	15.09	103
12" X 8"	324	219	508	229	8.38	7.03	60.0	10.31	8.18	64.0	14.27	10.31	82.0	17.48	12.7	82.0
12" X 6"	324	168	508	219	x	x	x	10.31	7.11	64.0	x	x	x	17.48	10.97	82.0
12" X 5"	324	141	508	216	x	x	x	10.31	6.55	64.0	x	x	x	17.48	9.52	82.0
14" X 12"	356	324	558	270	9.52	8.38	103	11.12	10.31	114	15.09	14.27	141	19.05	17.48	143
14" X 10"	356	273	558	257	9.52	7.80	99.0	11.12	9.27	109	15.09	12.7	136	19.05	15.09	141
14" X 8"	356	219	558	248	9.52	7.03	99.0	11.12	8.18	109	15.09	10.31	136	19.05	12.70	122
14" X 6"	356	168	558	238	x	x	x	11.12	7.11	109	x	x	x	19.05	10.97	122

Ölçüler mm olarak verilmiştir.
Çelik ve paslanmaz üretilebilir.

Dimensions are in mm.
Steel and stainless steel can be produce

REDÜKSİYON TE



ASME B 16.9
MSS - SP 75
SCH 30 - 40 - 60 - 80

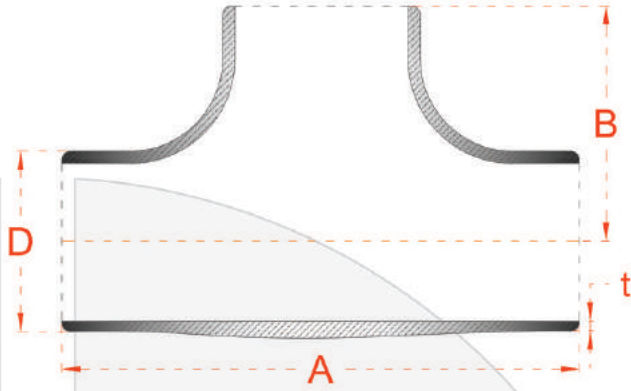


E.M.P.
www.emp.com.tr
www.empflans.com

REDUCING TEE



ASME B 16.9
MSS - SP 75
SCH 30 - 40 - 60 - 80



INCH	DIŞ ÇAP		A	B	SCH 30			SCH 40			SCH 60			SCH 80		
	D	D 2			t	t 2	kg	t	t 2	kg	t	t 2	kg	t	t 2	kg
16" X 14"	406	356	610	305	9.52	9.52	119	12.7	11.12	167	16.66	15.09	208	21.44	19.05	200
16" X 12"	406	324	610	295	9.52	8.38	110	12.7	10.31	161	16.66	14.27	181	21.44	17.48	181
16" X 10"	406	273	610	283	9.52	7.80	107	12.7	9.27	160	16.66	12.7	163	21.44	15.09	163
16" X 8"	406	219	610	273	9.52	7.03	107	12.7	8.18	160	16.66	10.31	161	21.44	12.7	163
16" X 6"	406	168	610	264	x	x	x	12.7	7.11	160	x	x	x	21.44	10.97	163
18" X 16"	457	406	686	330	11.12	9.52	164	14.27	12.7	238	19.05	16.66	257	23.83	21.44	279
18" X 14"	457	356	686	330	11.12	9.52	164	14.27	11.12	194	19.05	15.09	212	23.83	19.05	258
18" X 12"	457	324	686	321	11.12	8.38	154	14.27	10.31	194	19.05	14.27	212	23.83	17.48	234
18" X 10"	457	273	686	308	11.12	7.80	140	14.27	9.27	150	19.05	12.7	188	23.83	15.09	225
18" X 8"	457	219	686	298	11.12	7.03	140	14.27	8.18	150	19.05	10.31	188	23.83	12.7	205
20" X 18"	508	457	762	368	12.7	11.12	218	15.09	14.27	265	20.62	19.05	351	26.18	23.83	410
20" X 16"	508	406	762	356	12.7	9.52	218	15.09	12.7	230	20.62	16.66	324	26.18	21.44	355
20" X 14"	508	356	762	356	12.7	9.52	214	15.09	11.12	224	20.62	15.09	293	26.18	19.05	324
20" X 12"	508	324	762	346	12.7	8.38	214	15.09	10.31	224	20.62	14.27	293	26.18	17.48	324
20" X 10"	508	273	762	333	12.7	7.80	214	15.09	9.27	220	20.62	12.7	286	26.18	15.09	293
20" X 8"	508	219	762	324	12.7	7.03	214	15.09	8.18	220	20.62	10.31	224	26.18	12.7	228
24" X 20"	610	508	864	432	14.27	12.7	373	17.48	15.09	390	24.61	20.62	545	30.96	26.19	606
24" X 18"	610	457	864	419	14.27	11.12	340	17.48	14.27	390	24.61	19.05	472	30.96	23.83	533
24" X 16"	610	406	864	406	14.27	9.52	340	17.48	12.7	309	24.61	16.66	427	30.96	21.44	490
24" X 14"	610	356	864	406	14.27	9.52	320	17.48	11.13	309	24.61	15.09	427	30.96	19.05	490
24" X 12"	610	324	864	397	14.27	8.38	320	17.48	10.31	308	24.61	14.27	389	30.96	17.48	452
24" X 10"	610	273	864	384	14.27	7.80	320	17.48	9.27	308	24.61	12.7	389	30.96	15.09	452

Ölçüler mm olarak verilmiştir.
Çelik ve paslanmaz üretilebilir.

Dimensions are in mm.
Steel and stainless steel can be produce